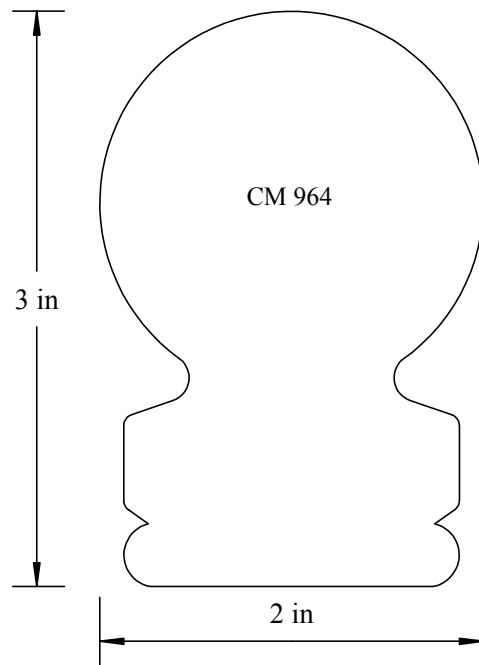
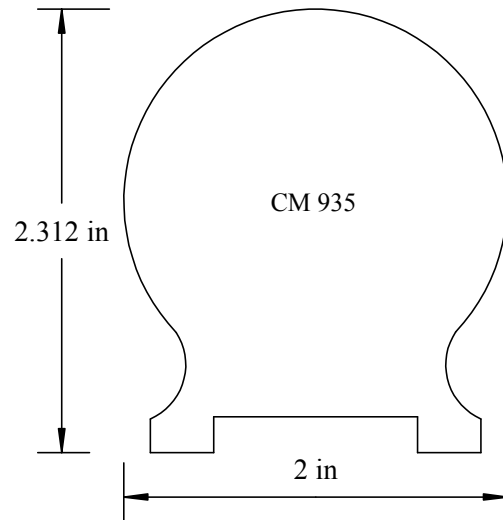
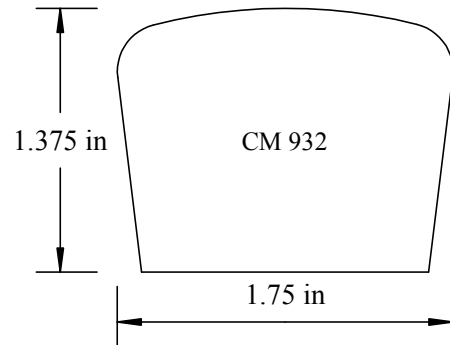
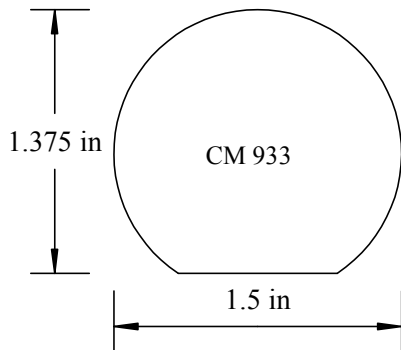
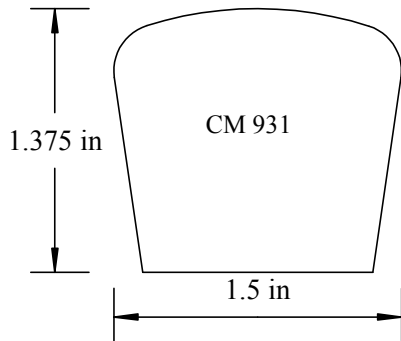
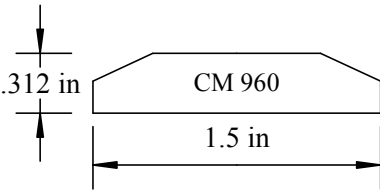
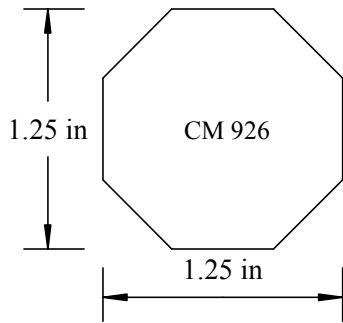
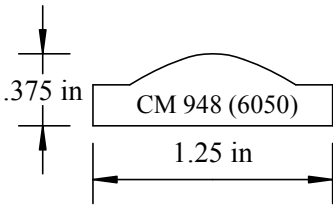
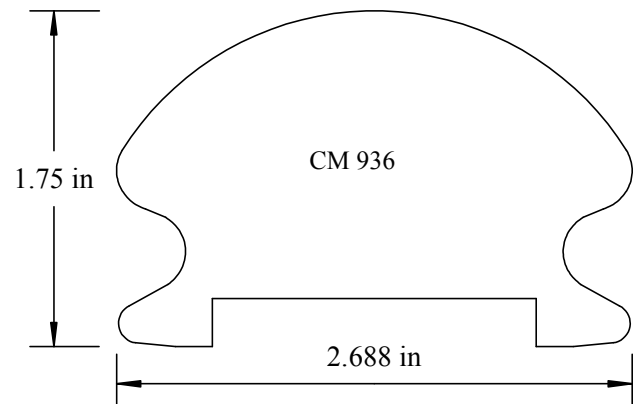
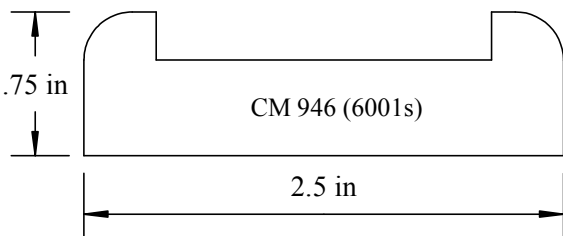
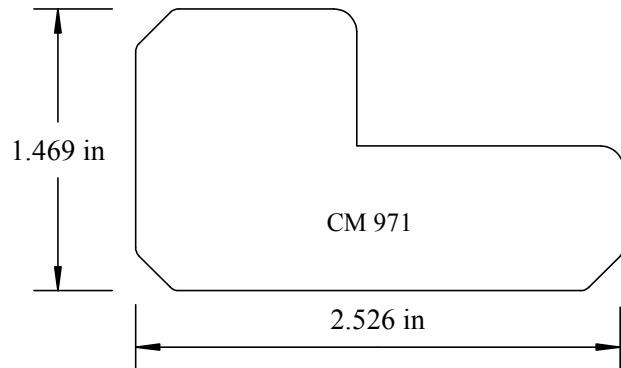
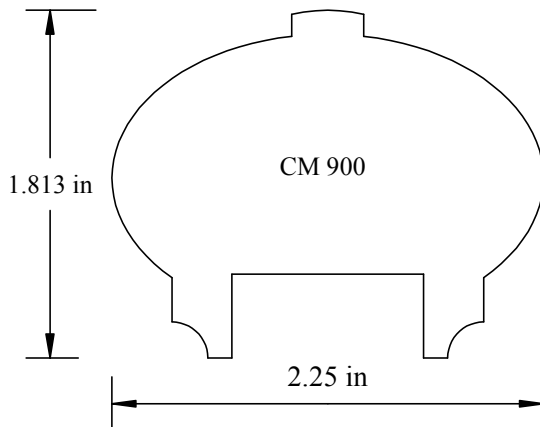
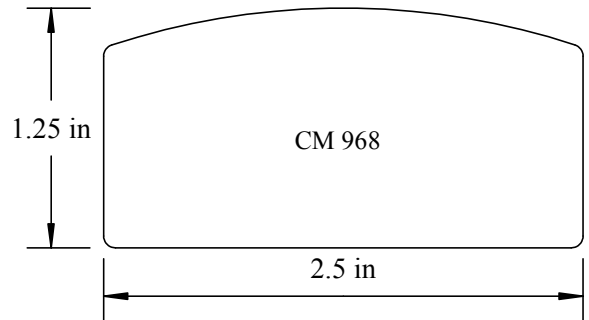
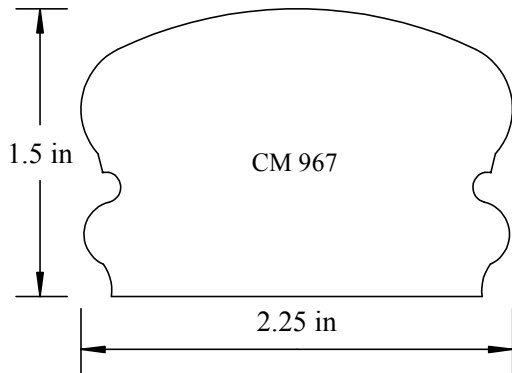
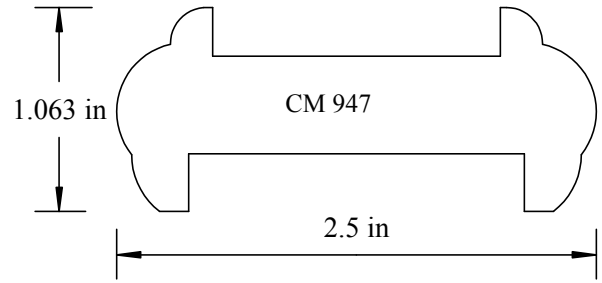
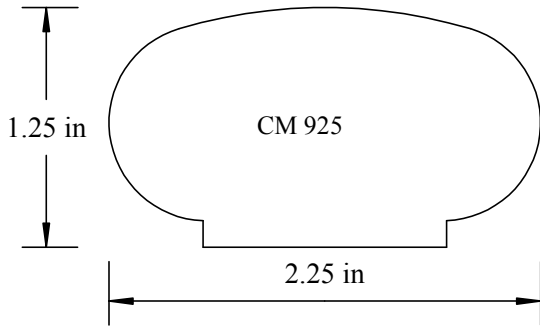


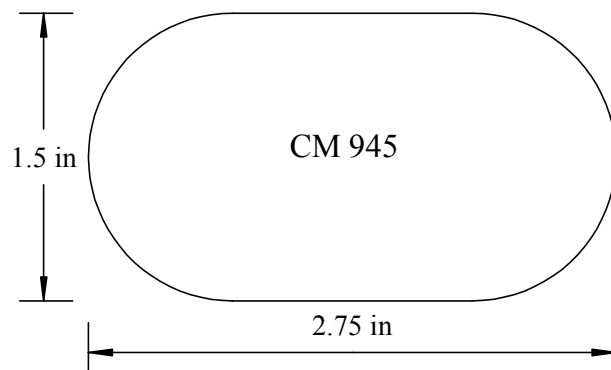
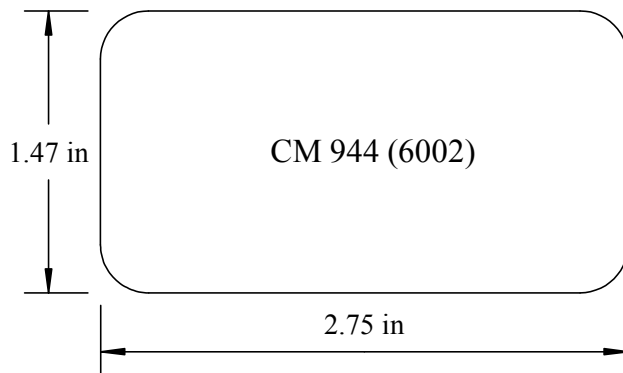
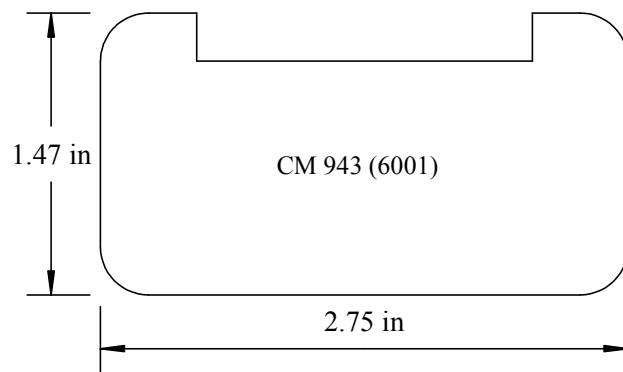
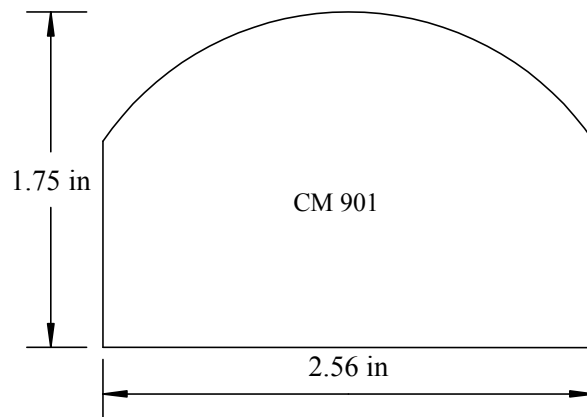
# Molding Profiles - Hand Rails



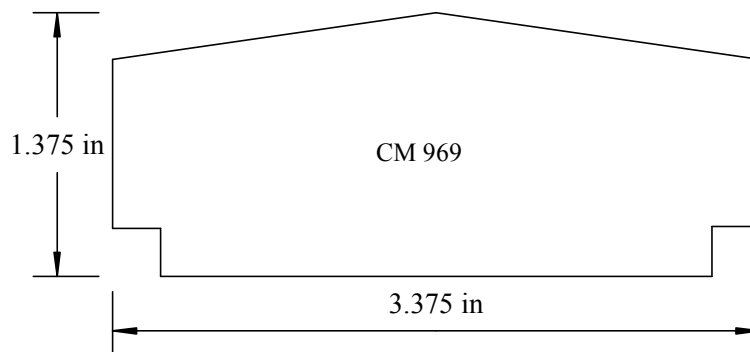
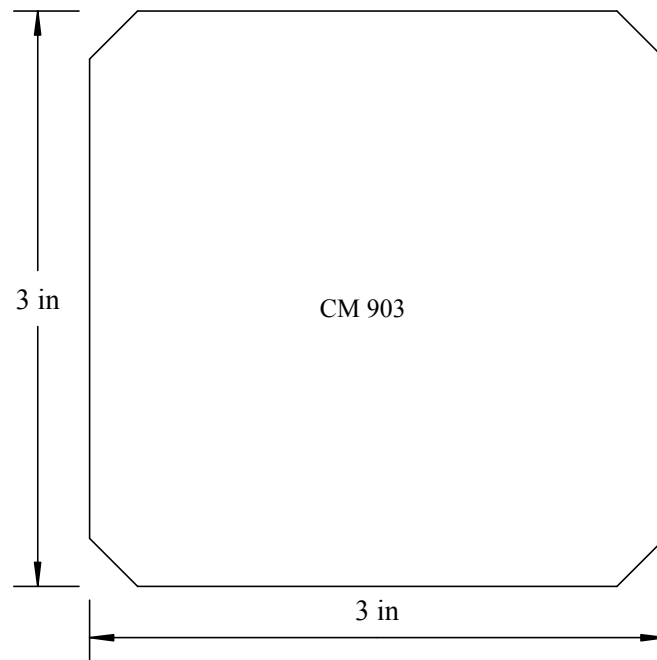
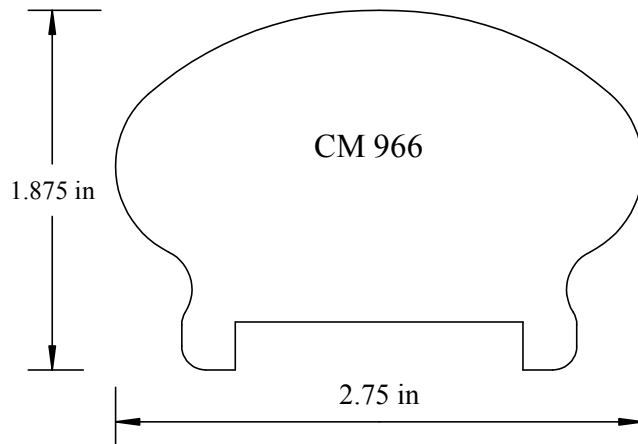
# Molding Profiles - Hand Rails



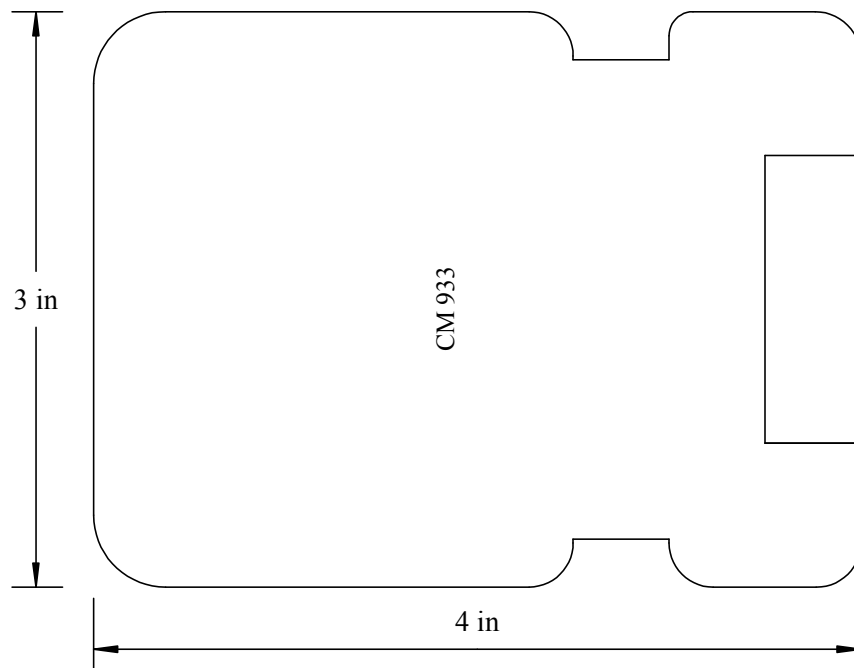
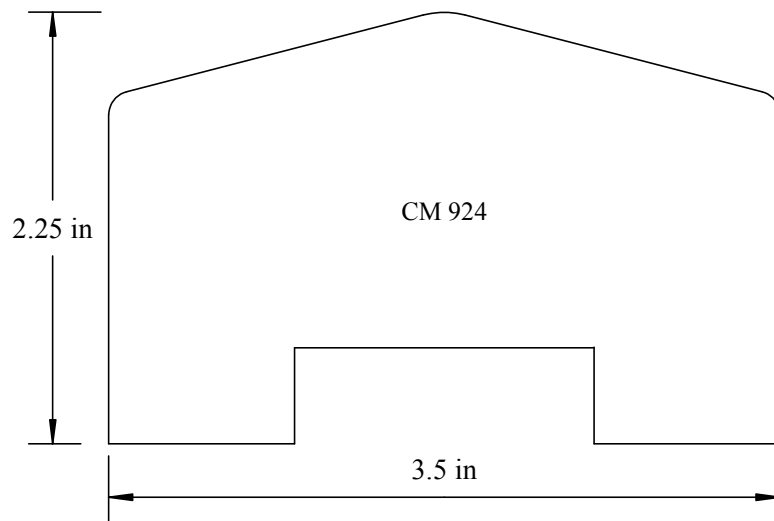
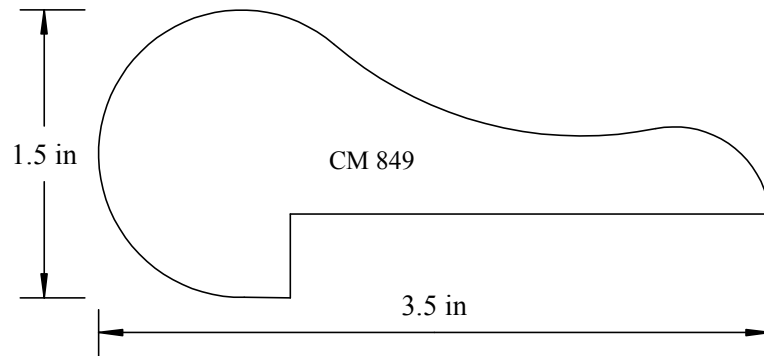
## Molding Profiles - Hand Rails



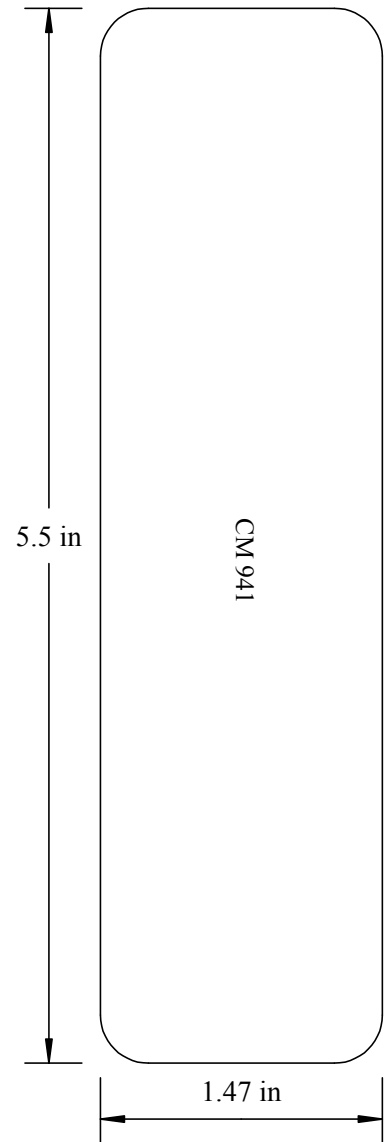
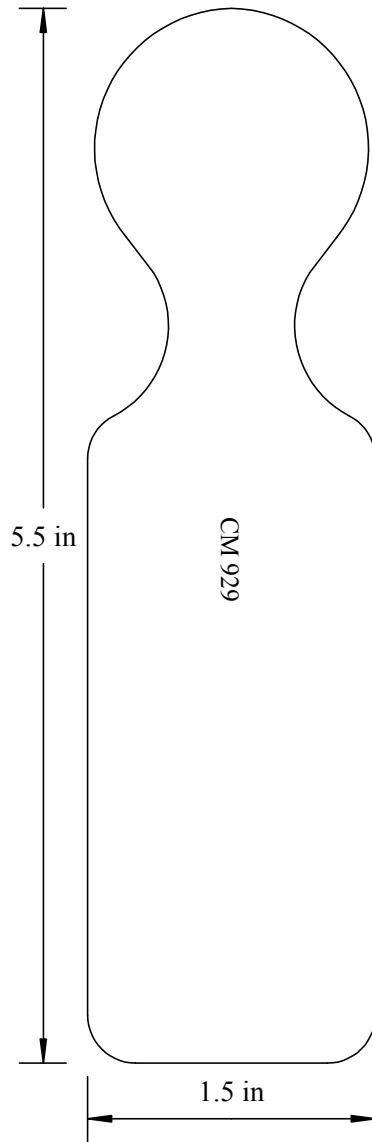
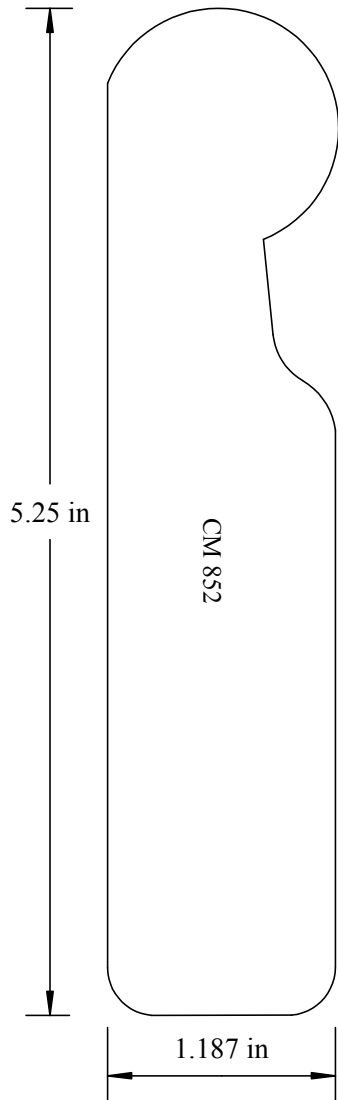
## Molding Profiles - Hand Rails



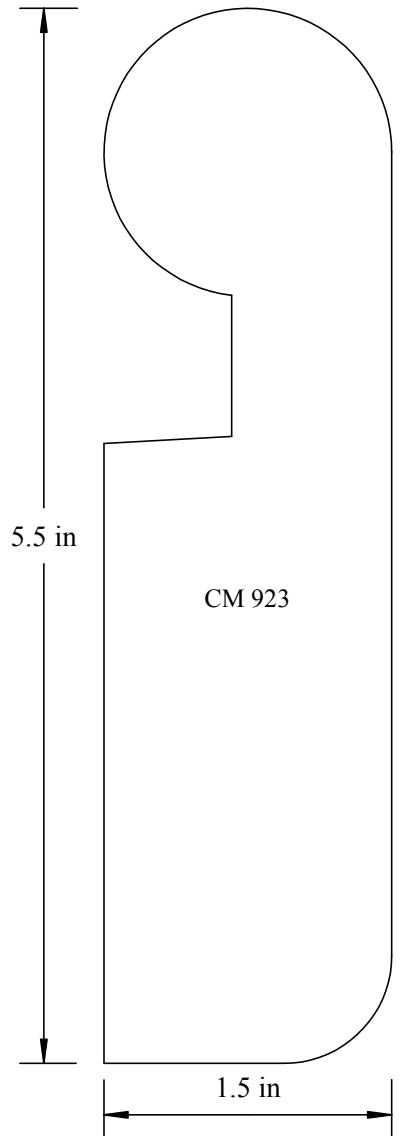
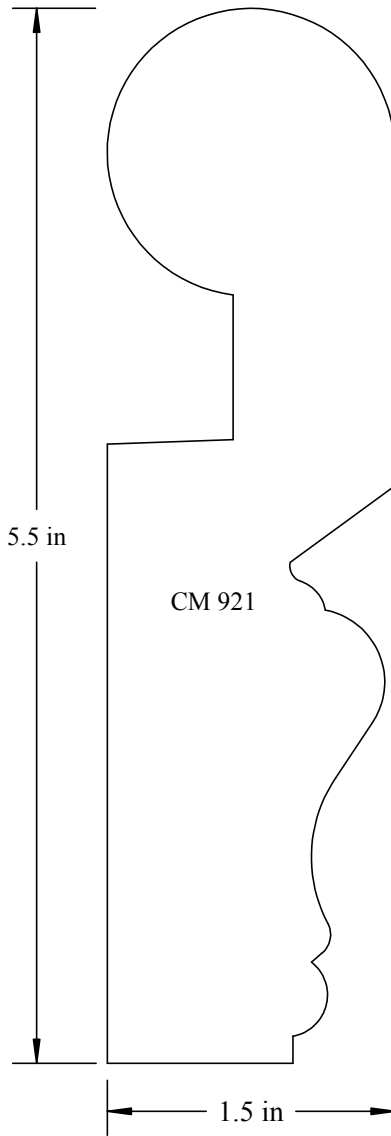
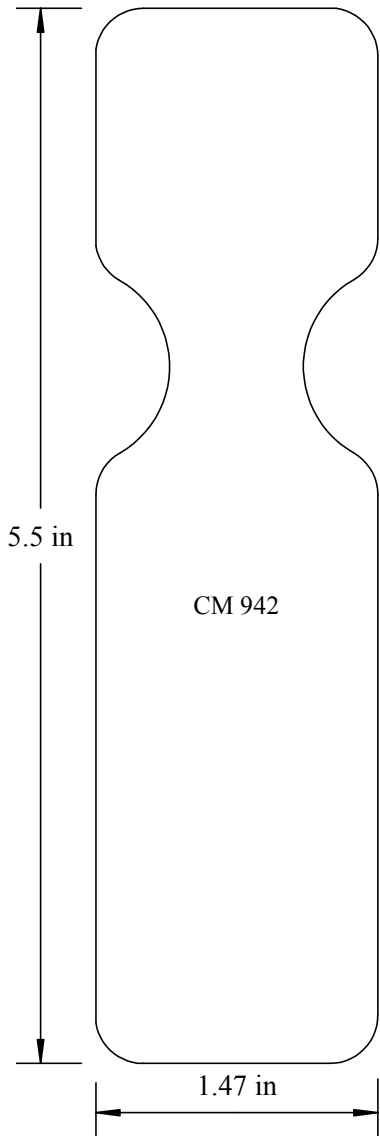
## Molding Profiles - Hand Rails



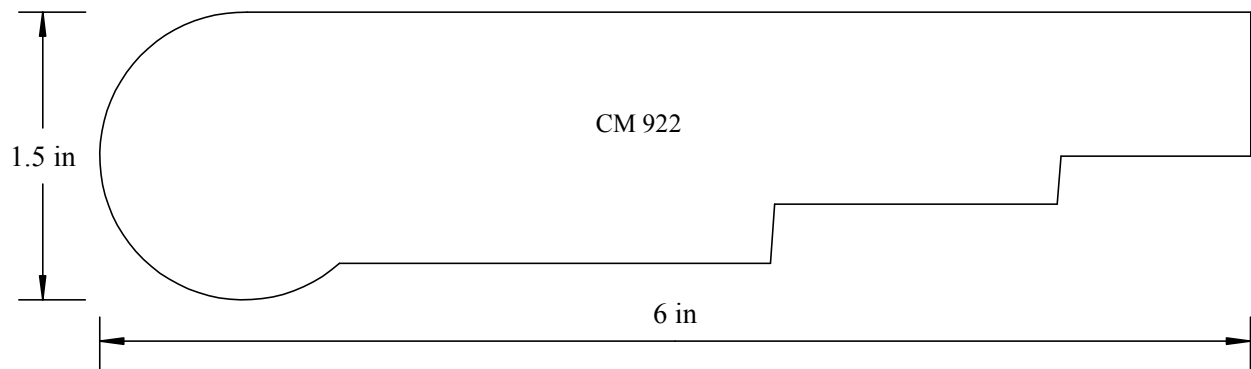
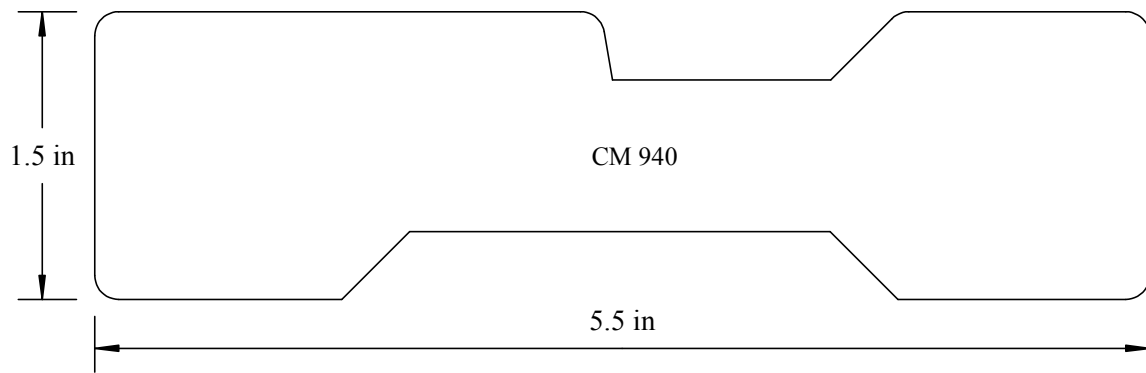
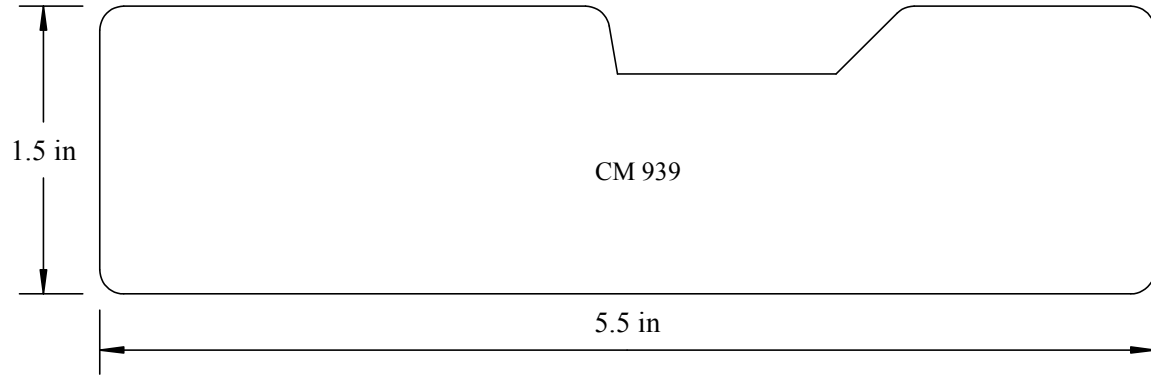
# Molding Profiles - Hand Rails



# Molding Profiles - Hand Rails



# Molding Profiles - Hand Rails





# Molding Profiles - Hand Rails

